



TYPE D & D2 DIFFERENTIAL PRESSURE VALVE

SIZES 1/4" – 1/2"
PRESSURES to 600 PSIG at 750°F

- Self-contained
- Direct Operated
- Normally Open
- Packless Construction
- Accurate Regulation Unaffected by Service Conditions
- Easy In-line Maintenance
- Five Spring Ranges for Improved Control
- Utilizes Many Standard D/D2 Pilot Components

APPLICATION DATA

- Pressure Regulating for Steam Distribution
- Regulating for Fluid, Gas and Vapor Process Control
- Processes with Small, Relatively Steady Flow Rates

VALVE RATINGS

Construction	Pressure PSIG (bar)	Temperature °F (°C)
Cast Iron	250 (17.2) @	400 (204)
Cast Steel	600 (41.4) @	750 (400)

SPRING PRESSURE RANGES (PSIG)

TYPE D	TYPE D2
3-20	100-300
5-50	
10-100	
20-150	

Canadian Registration # OC 0591.9C

MODELS

- **TYPE D VALVE** — ±1 PSI control of delivery pressure between 3 and 150 PSI
- **TYPE D2 VALVE** — ±2 PSI control of delivery pressure between 100 and 300 PSI

OPTIONS

- Enclosed Spring Chamber
- Adjusting Handwheel
- Composition Disc
- Locking Device
- Wall Bracket

TYPICAL CONFIGURATIONS

PRESSURE REDUCINGTYPE D VALVE
PRESSURE REDUCINGTYPE D2 VALVE

Installation Tip: Add Uniflex Pipe Coupling for ease of maintenance
SEE PAGE 374

TYPE D & D2 DIFFERENTIAL PRESSURE VALVE

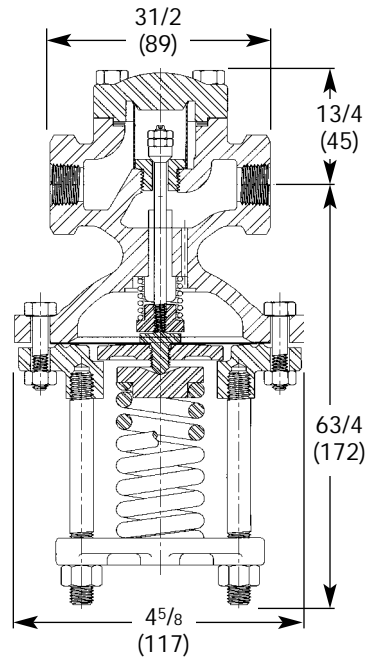
SPECIFICATION

The Valve shall be of normally open design with packless construction. A strainer Screen shall be built into the valve inlet. The valve shall be single- seated, spring loaded and diaphragm actuated.

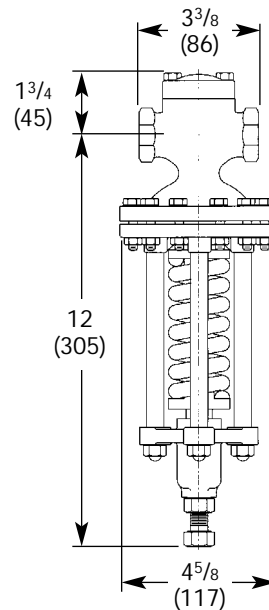
MATERIALS OF CONSTRUCTION

Body, Cast Iron	ASTM A126 CI B
Body, Cast Steel	ASTM A216 GR. WCB
Stem	303 St. Stl. ASTM A582 COND A
Disc	440 St. St. ASTM A276-75 COND A
Seat	420 St. Stl ASTM A276 COND A
Gasket	Non-Asbestos
Diaphragm	301 St. Stl. MIL-5-5059C
Spring	Inconel

D & D2 PRESSURE REDUCING VALVE



**D VALVE
7.3 LBS.
(3.3 KG)**



**D2 VALVE
10.6 LBS.
(4.8 KG)**